



Service Bulletin #238

SB-238
(041107)
ERN_7123

Gen II Air Spring and Thrust Bearing Replacement Procedure

This service bulletin explains the procedure for replacing a Gen II air spring or thrust bearings on a strut.

Parts List

Item	Quantity	Description
1	1	Nyloc Nut
2	1	Rebound Washer
3	1	Retaining Ring
4	2	Thrust Bearing
5	1	Upper Bracket
6	2	Spacer
7	1	Air Spring
8	1	Strut
9	1	Wire Snap Ring
10	1	Collar
11	2	Lock Washer
12	2	.25-20 x .75 Bolt

Tools Needed

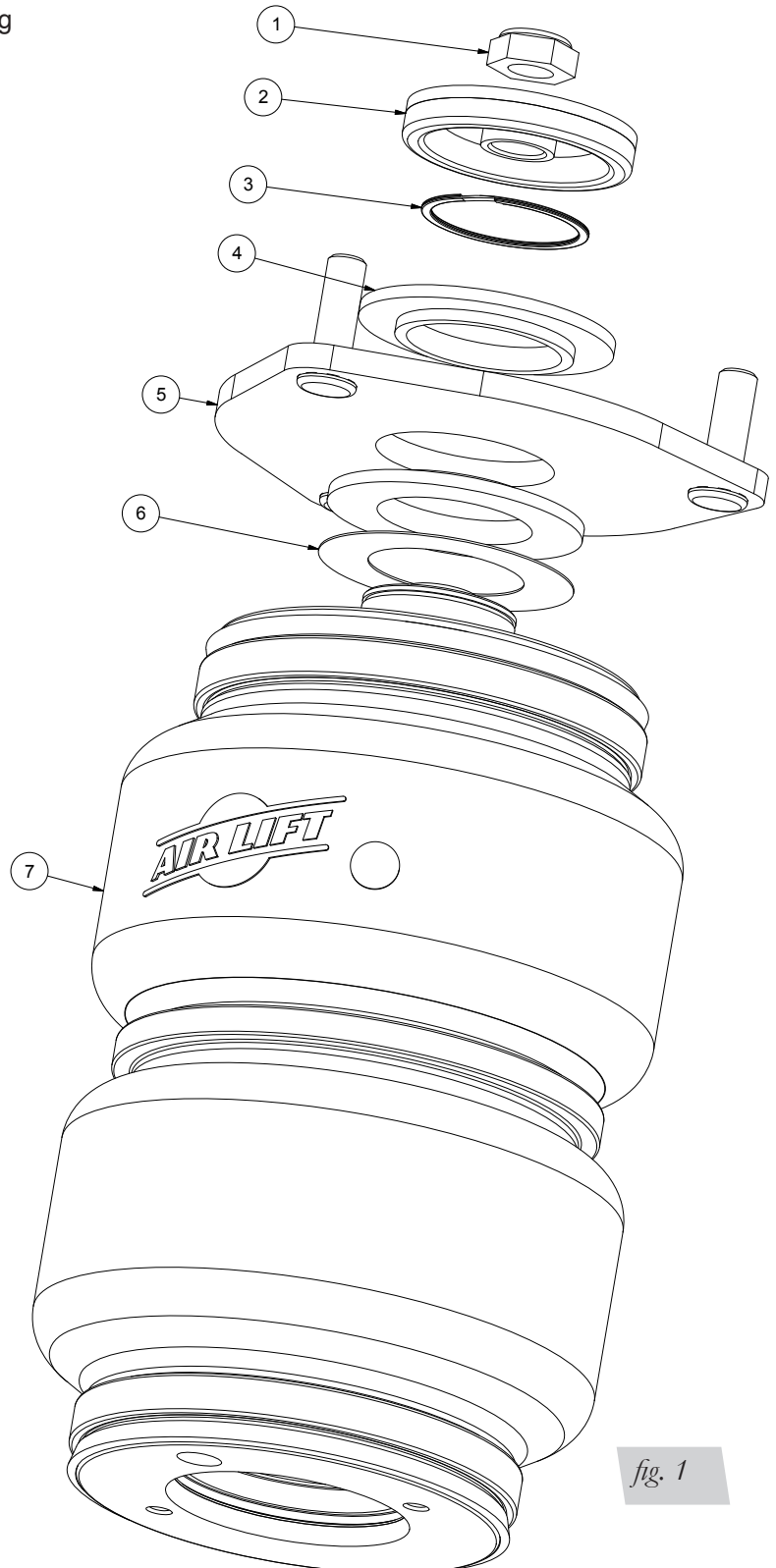
3/4" Combo Wrench Flat Head Screwdriver
7/16" Combo Wrench Multi-purpose Grease
1/4" Hex Key

Procedure

1. Unthread the nyloc nut at top of damper rod.
2. Remove the rebound washer from rod.
3. Unclip the retaining ring from upper mount assembly, by locating the end of clip and prying end out of groove.
4. Remove thrust bearings and upper bracket from air spring assembly.

NOTE: Thrust bearing replacement (continue to Step 13).

5. Unthread any air fitting from top (sleeve) or bottom (bellows) of air spring.
6. **FOR BELLOWS ONLY:** Unbolt the two retaining bolts from the bottom of air spring, save bolts and washers for later reinstallation. Early versions used a snap ring to retain the bellows to the damper body. This ring should be replaced by a collar (shown in fig. 2).



Thank you for purchasing Air Lift Products! For Technical Support, please call (800) 248-0892.

Air Lift Company • P.O. Box 80167, MI 48908-0167 • (517)322-2144 • Fax:(517) 322-0240 • www.airliftcompany.com

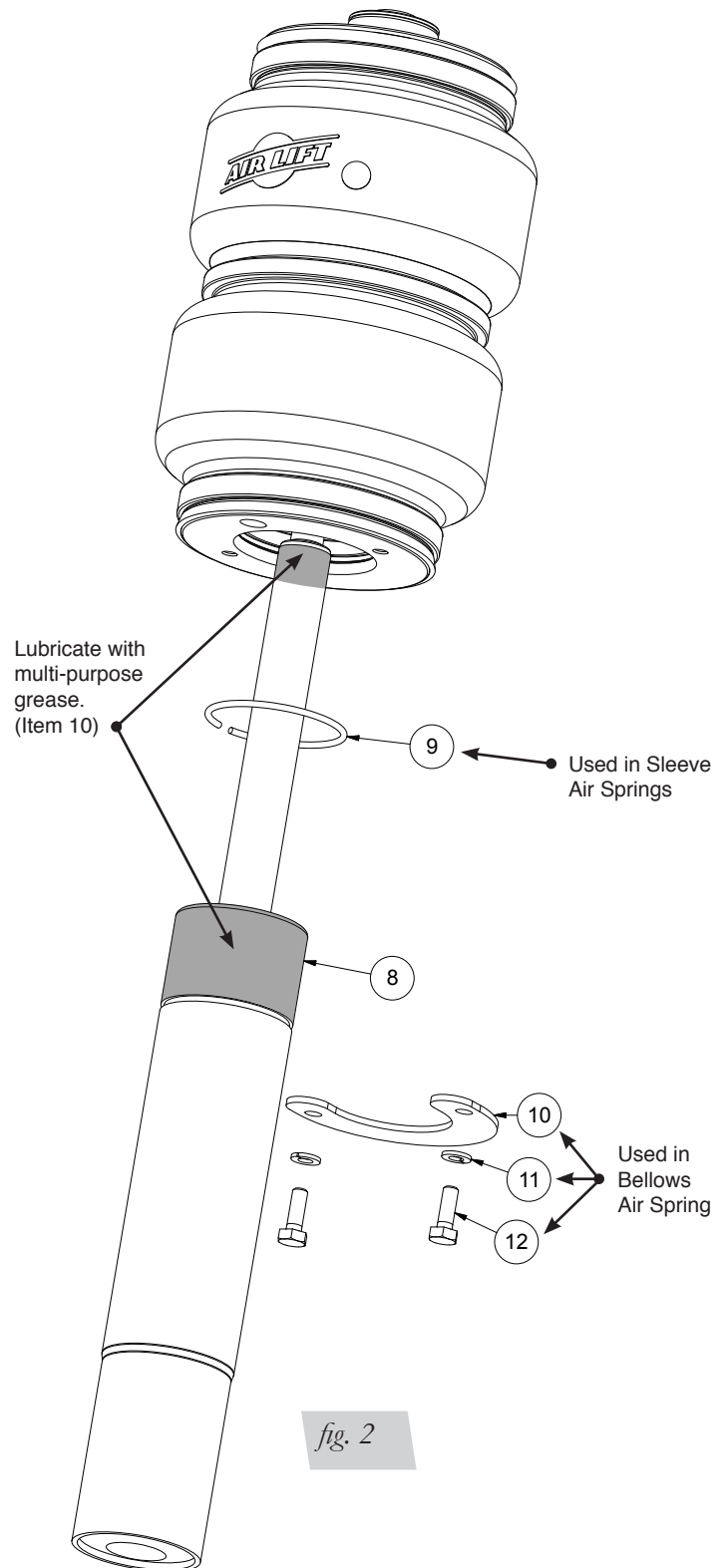


Service Bulletin #238

SB-238
(041107)
ERN_7123

Gen II Air Spring and Thrust Bearing Replacement Procedure

- Using a rubber tipped hammer, tap the air spring off the strut and return to Air Lift Company for inspection.
- Clean all components removed from damper.
- Slide snap ring over damper body into groove (sleeve only) or clip the collar into the damper body groove. Check for any sharp edges on the damper body where ring had passed. Lightly sand sharp edges if necessary.
- Apply multi-purpose grease around damper body above the snap ring groove and at the top of the rod (fig. 2).
- Push and hold snap ring ends together around the strut body. Slide the air spring assembly over the rod and onto the damper body. Some force will need to be applied to push O-ring onto the damper body. When pressing down on the air spring, make sure the lower end cap properly seats on the snap ring. If the end cap goes too far, the O-ring will become damaged in the damper body groove. The snap ring will make a noticeable "click" sound when fully seated.
- BELLOW ONLY:** Reinstall the retaining bolts to the lower end cap.
- Do a mock install using two spacers underneath the thrust bearings. Clean the thrust bearings and assemble with the upper bracket onto the air spring. Try to clip the retaining ring in place. If the ring seats fully, disassemble and move to next step. When using 2 spacers, if the ring does not seat, remove one spacer and reassemble again.
- Apply a thin layer of multi-purpose grease to the mating surfaces of the thrust bearings and reattach the thrust bearings and upper bracket to the air spring.
- Reattach the retaining ring to the upper mount assembly. Verify the ring is completely engaged.
- Install the rebound washer and tighten the nyloc nut to the damper rod.
- Add thread sealant or Teflon tape to the fitting. Thread fitting into end cap and tighten.



Thank you for purchasing Air Lift Products! For Technical Support, please call (800) 248-0892.

Air Lift Company • P.O. Box 80167, MI 48908-0167 • (517)322-2144 • Fax:(517) 322-0240 • www.airliftcompany.com